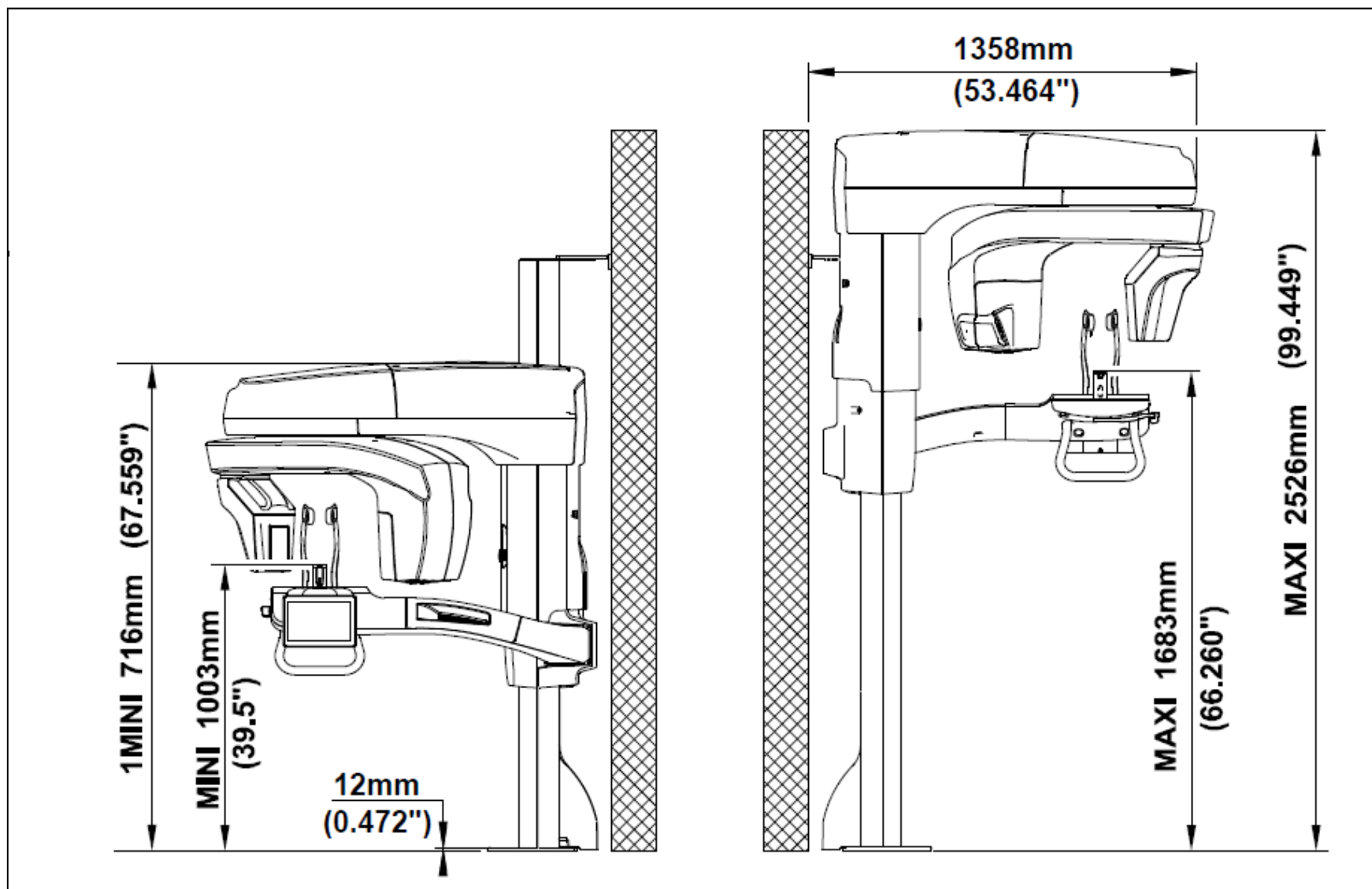
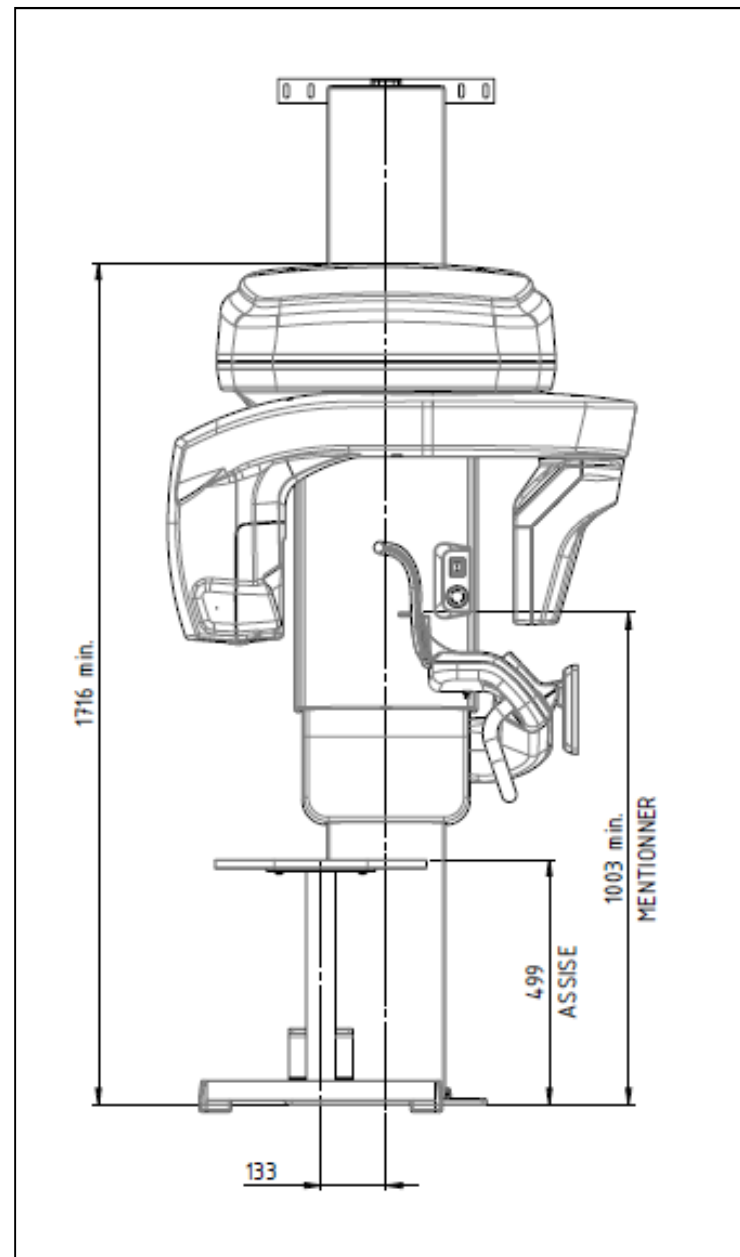
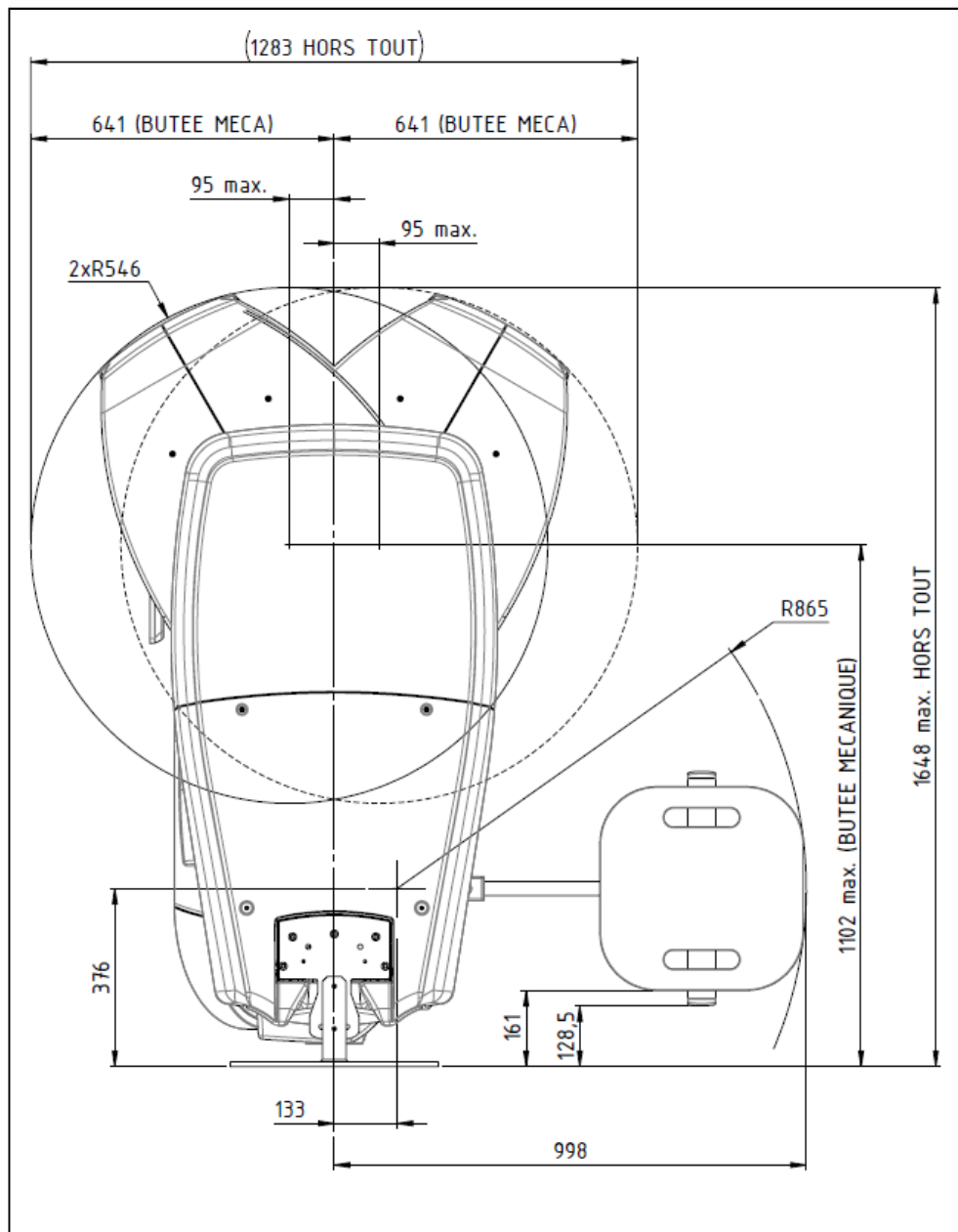


# CS 9600: Dimensions



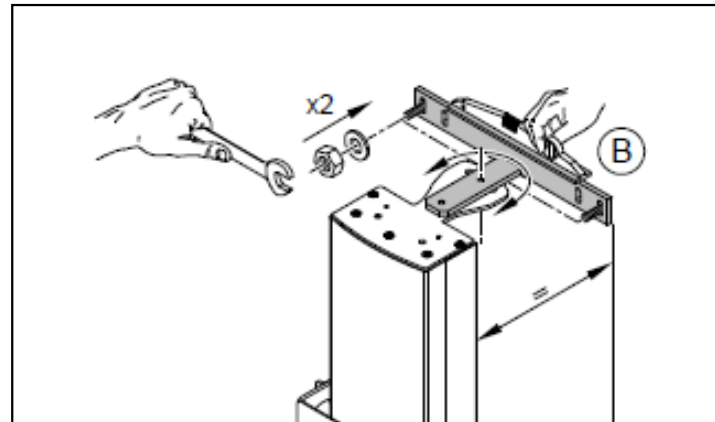
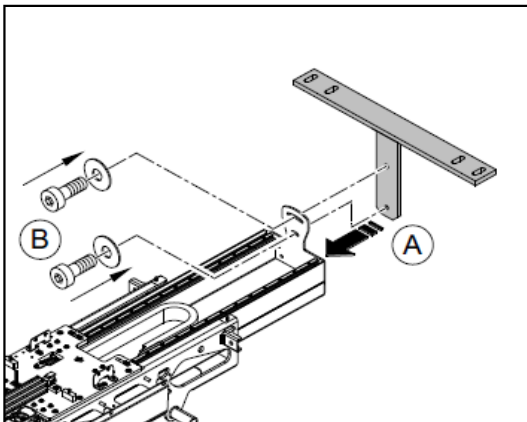
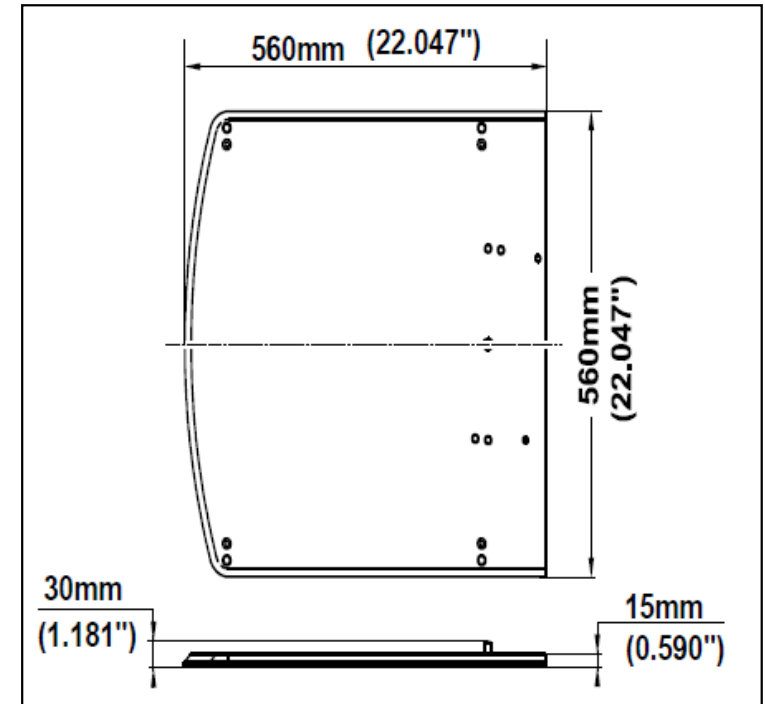
# CS 9600: Working footprint



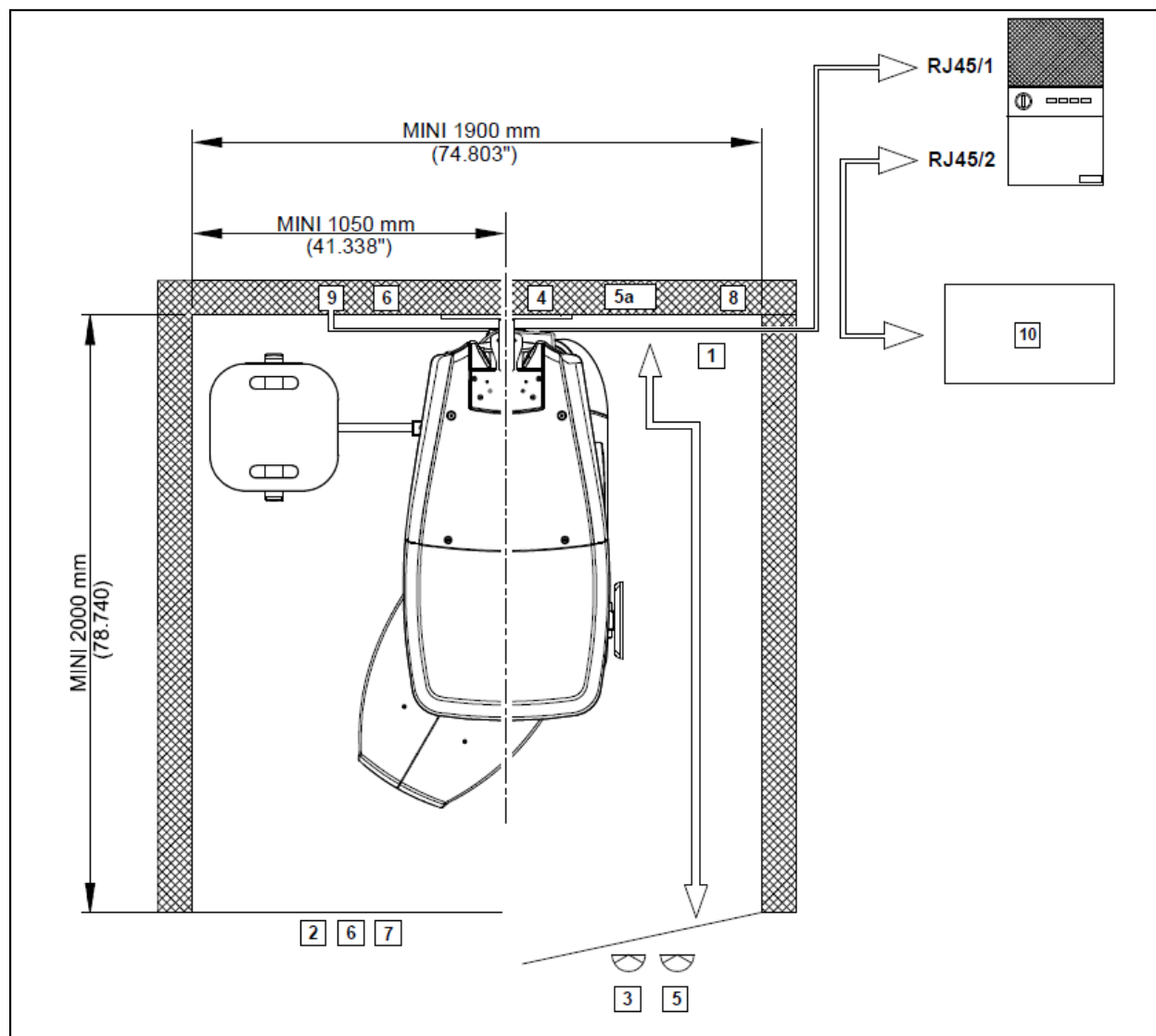
# CS 9600: Base Plate Dimensions

**A base plate is required to install the CS 9600 unit:**

- No floor drilling
- Allowing to slightly rotate unit
- Ensure easy ceph upgrade installation:
  - Unit is 8-10° rotated with Ceph arm
  - Wall mounting bracket and unit attachment allow easy unit rotation



# CS 9600: Minimum room space configuration \*



\* With optional seat on left side

